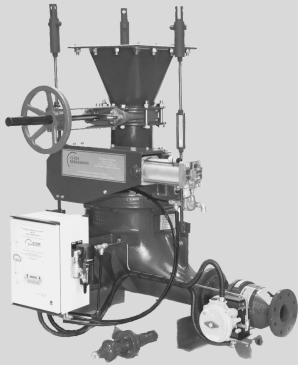




CLYDE

Pneumatic Conveying



Ash Vessel

Pneumatic Bulk Solids Handling

Document No. CPC-INF-2120

The Clyde Ash Vessel has been installed across hundreds of Ash Handling applications worldwide.

Particularly well suited to multi-outlet hopper applications normally associated with particulate collectors such as ESPs and Fabric Filters.

This machine offers many advantages due to its compact design and ultra efficient operating and maintenance regime

Address

Clyde Pneumatic Conveying Ltd
Lakeside Boulevard
Lakeside
Doncaster
DN5 4PL
United Kingdom

Phone

+44 01302 552200

Email

sales@clydepc.co.uk

Web

www.clydepc.co.uk



ISO9001 | ISO14001

British Engineering

Key Features

Compact Design & Volume

One of the small machines on the market capable of being supported from the process hopper if required

For use in Multi-outlet Hopper Applications

Typically installation on 2 - 8 process hopper outlets, normally ESP | Bag Filter or Boiler Hoppers

Simple in Construction

Single piece construction with single inlet Dome Valve, supplied completely assembled to minimise site installation

Materials Conveyed

range of fine to coarse dust 0.1 - 5mm

Conveying Rate

0.5 - 15 tph (most efficient)

Conveying Distance

50 - 250m (most efficient)

Benefits

Zero Leakage

Totally efficient and effective valve sealing

Extremely Reliable

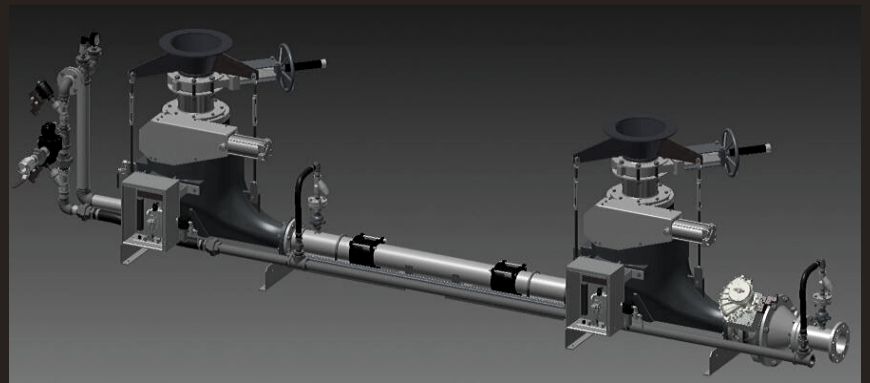
Incorporating only tried and tested key components resulting in highly reliable operation in a wide range of applications

High Availability

over 3,000,000 cycles between major overhauls and 1,000,000 cycles for seal replacement

Hoppers Run Empty

Process hopper are maintained in a nearly empty condition to avoid bridging and blocking



Custom Features

Dome Coatings

Electro-nickle plating or Polymer coating for cohesive and abrasive materials

Temperature Rating

Water-cooling to achieve operating temperatures beyond 200 deg C up to 450 deg

Hopper or Floor Mounting

Can be either hung from the process hopper or mounted from the floor or structure below