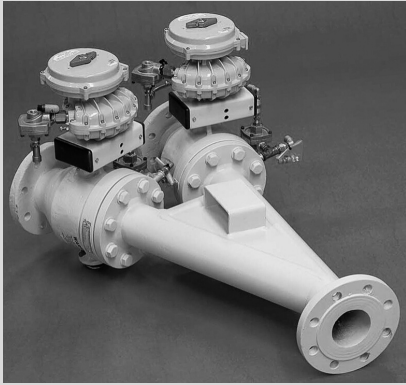




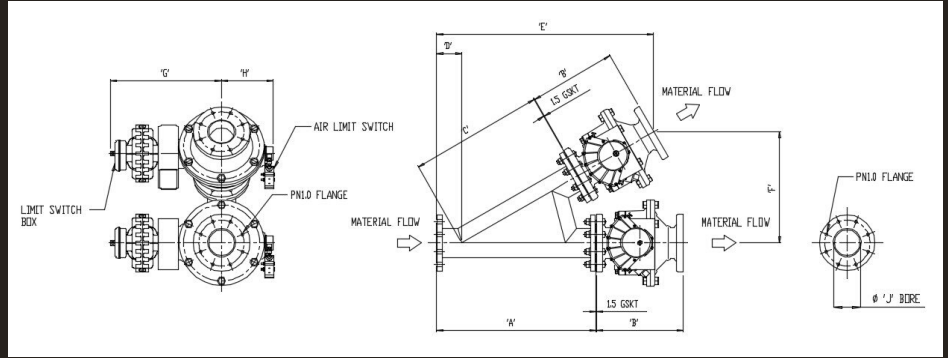
Pneumatic Conveying



Technical Data Switch Valve

Pneumatic Bulk Solids Handling
Document No. CPC-TDS-3160

Physical Layout



Main Dimensions

CONVEYING LINE SIZE	DIMENSIONS									WEIGHT Kg
	'A'	'B'	'C'	'D'	'E'	'F'	'G'	'H'	'J'	
50	580	188	480	100	680	335	293	131	52.5	75
80	600	228	500	100	732	365	340	144	77.9	100
100	630	348	530	100	857	437	440	206	102.3	260
125	820	449	670	150	1120	560	562	265	128.1	500
150	870	449	720	150	1163	585	562	265	154.1	500
175	1340	808	1090	250	1895	950	604	315	177.7	780
200	1000	485	750	250	1319	617	604	315	202.7	800
250	1540	565	1290	250	1855	926	767	396	254.4	1100
300	1500	683	1350	150	1908	1015	805	449	304.9	1500

Address

Clyde Pneumatic Conveying Ltd
Lakeside Boulevard
Lakeside
Doncaster
DN5 4PL
United Kingdom

Phone

+44 01302 552200

Email

sales@clydepc.co.uk

Web

www.clydepc.co.uk

Typical Installation



ISO9001 | ISO14001



British Engineering