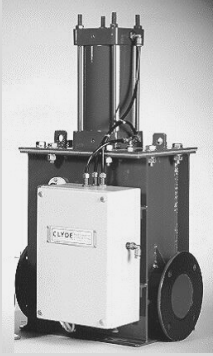




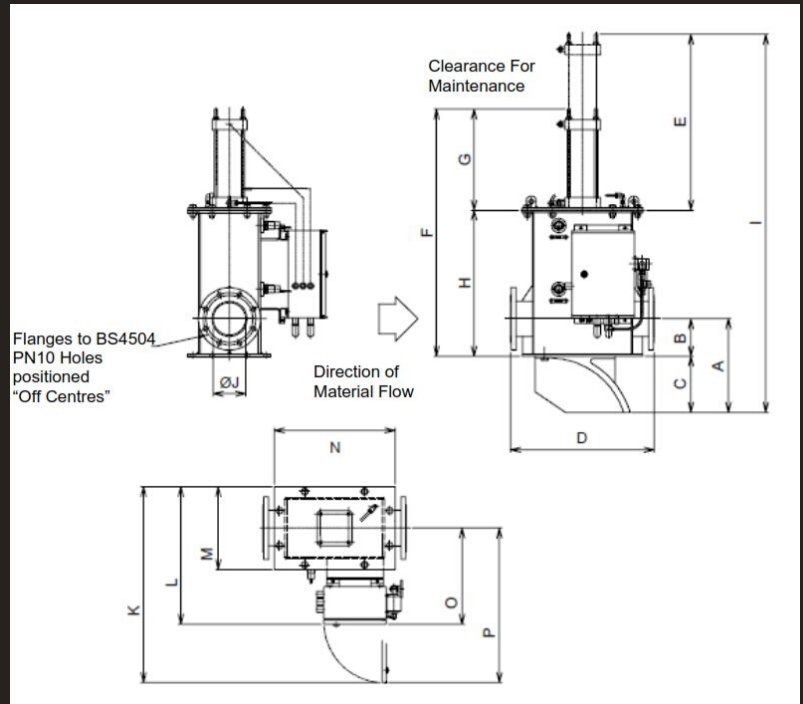
**Pneumatic Conveying**



# Technical Data Dump Valve

Pneumatic Bulk Solids Handling  
Document No. CPC-TDS-3150

## Physical Layout



## Main Dimensions

Dimensions - (mm)																	
SIZE	A	B	C	D	E	F	G	H	I	ØJ	K	L	M	N	O	P	KG
50	242	100	142	370	820	658	283	375	800	51.8	*	*	230	310	*	*	55
80	270	123	147	450	890	735	309	426	882	79.8	698	463	290	370	318	552	83
100	250	110	149	450	960	804	347	457	953	102.3	697	463	290	370	318	552	95
125	375	150	225	575	1230	990	406	584	1215	129.8	757.5	523.5	333	483	357	591	145
150	432	210	222	800	1390	1165	419	716	1387	154.1	846	612	440	710	392	626	220
175	490	220	270	800	1615	1341	541	800	1611	181.1	846	612	440	710	392	626	325
200	515	230	285	850	1675	1384	504	880	1689	202.9	880	645	490	770	400	635	425
250	645	290	355	1270	1995	1836	598	1038	1991	254.5	1085	795	600	934	495	785	540
300	672	315	357	1280	2250	1801	663	1138	2158	303.3	1145	857.5	680	960	517.5	805	890
350	735	350	485	1350	2570	2082	819	1263	2567	333.34	1229	941.5	750	1100	568.5	854	1000

### Address

Clyde Pneumatic Conveying Ltd  
Lakeside Boulevard  
Lakeside  
Doncaster  
DN5 4PL  
United Kingdom

### Phone

+44 01302 552200

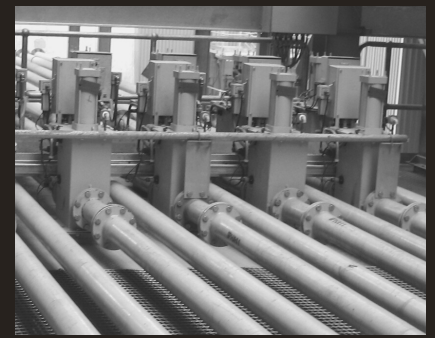
### Email

sales@clydepc.co.uk

### Web

www.clydepc.co.uk

## Typical Installation



ISO9001 | ISO14001



British Engineering