



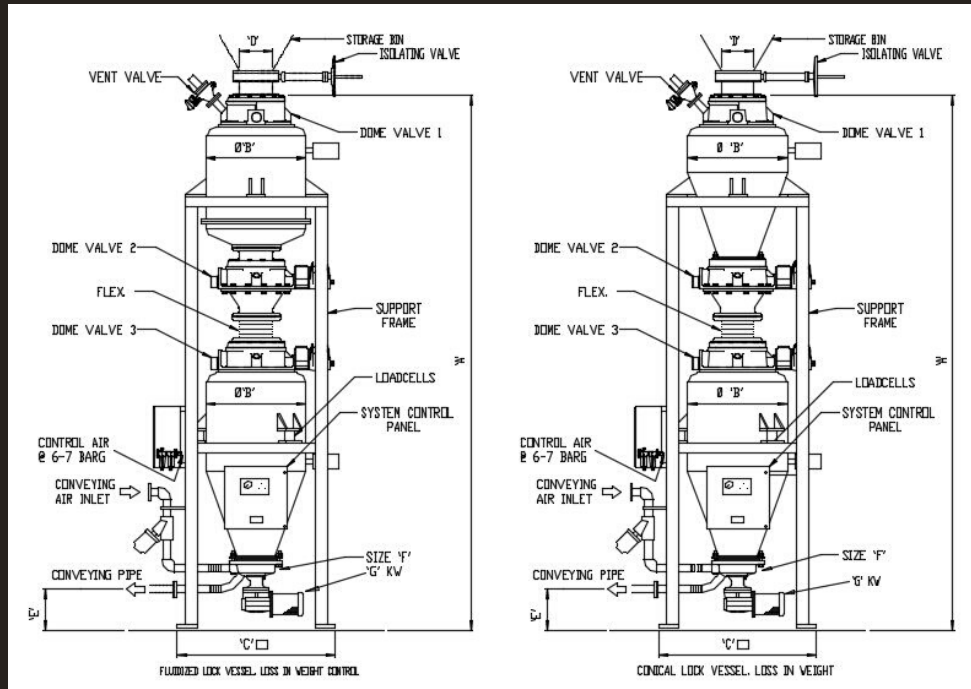
Pneumatic Conveying



Physical Layout

Technical Data Rotoseed

Pneumatic Bulk Solids Handling
Document No. CPC-TDS-3110



Main Dimensions

MODEL No	4/8	6/12	8/16	12/24	18/36	25/50	38/76	50/100	70/140	100/200	140/280
A	3600	3900	4200	4400	5200	5600	6000	6400	7600	-	-
B	557	686	820	820	1030	1030	1304	1304	1493	-	-
1030 C	810	950	1080	1080	1320	1320	1840	1600	1750	-	-
D *	200	200	200	200	300	300	300	300	300	300	400
E	180	200	200	250	250	250	250	250	250	-	-
F *	250x80	250x80	300x100	420x120	420x120	420x120	500x150	580x200	580x200	720x250	720x250
G	-	-	-	2.2kW	2.2kW	2.2kW	-	-	-	-	-

* DOME VALVE & ROTOFEED SIZES MAY CHANGE DEPENDANT ON APPLICATION

Address

Clyde Pneumatic Conveying Ltd
Lakeside Boulevard
Lakeside
Doncaster
DN5 4PL
United Kingdom

Phone

+44 01302 552200

Email

sales@clydepc.co.uk

Web

www.clydepc.co.uk

Typical Installation



ISO9001 | ISO14001



British Engineering