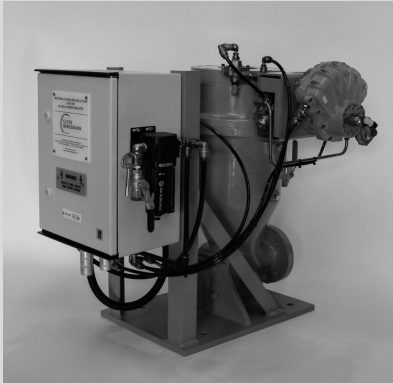




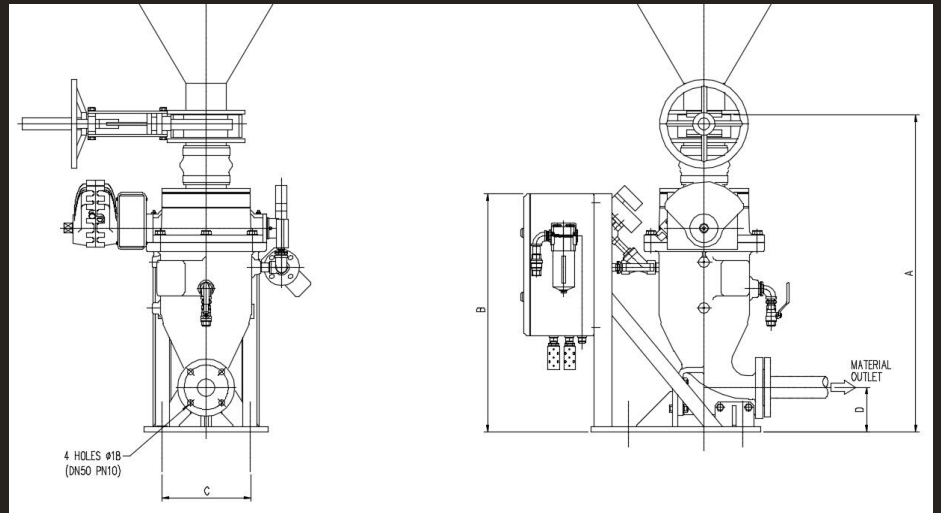
Pneumatic Conveying



Technical Data Ash Vessel - Compact

Pneumatic Bulk Solids Handling
Document No. CPC-TDS-3090

Physical Layout



Main Dimensions

COMPACT ASH VESSEL	Inlet Bore (mm)	Outlet Bore (mm)	A (mm)	B (mm)	C (mm)	D (mm)	Approx. Net Weight (kg)
Model 0.4/4	100	50	891	670	250	126	161

Address

Clyde Pneumatic Conveying Ltd
Lakeside Boulevard
Lakeside
Doncaster
DN5 4PL
United Kingdom

Phone

+44 01302 552200

Email

sales@clydepc.co.uk

Web

www.clydepc.co.uk

Typical Installation



ISO9001 | ISO14001



British Engineering