



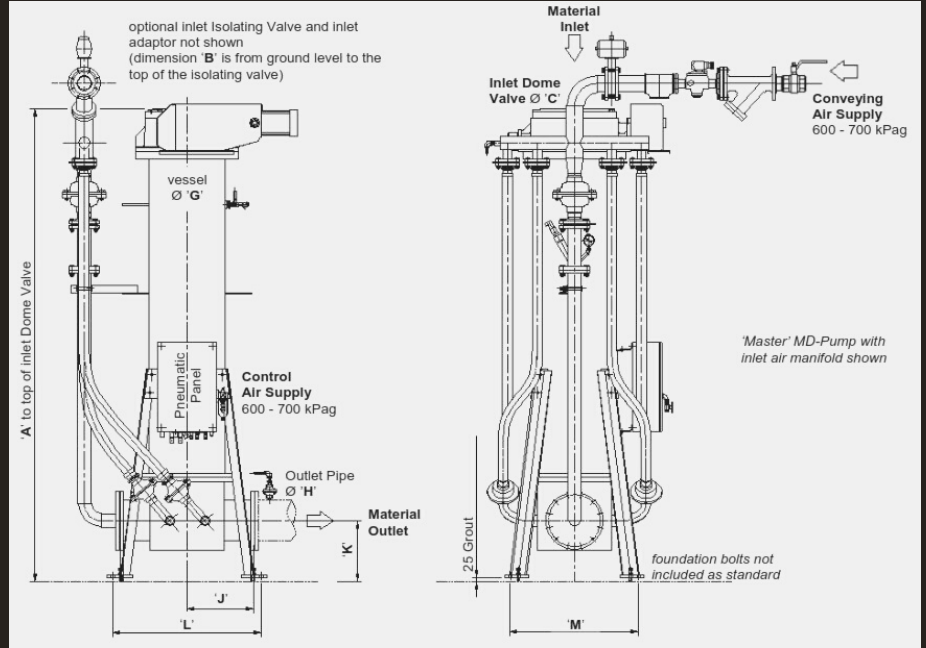
Pneumatic Conveying



Technical Data MD-Pump (T)

Pneumatic Bulk Solids Handling
Document No. CPC-TDS-3070

Physical Layout



Main Dimensions

MD-Pump Model Size	'A'	'B'	Ø 'C'	Ø 'G'	Ø 'H'	'J'	'K'	'L'	'M'	Approx. Net Weight
4/8/3	2101	2346	200	DN300	80	260	323	610	581	520 kg
4/8/4	2101	2346	200	DN300	100	260	323			
4/8/5	2101	2346	200	DN300	125	260	323			
6/8/4	2475	2720	200	DN400	100	260	323			
6/8/5	2475	2720	200	DN400	125	260	323			
6/8/6	2475	2720	200	DN400	150	260	323			
9/8/5	2676	2921	200	DN400	125	400	363			
9/8/6	2676	2921	200	DN400	150	400	363			
9/8/8	2676	2921	200	DN400	200	400	363			
16/12/6	3180	3450	300	DN500	150	450	410	1000	860	kg
16/12/8	3180	3450	300	DN500	200	450	410	1000	860	930 kg
16/12/10	3180	3450	300	DN500	250	450	410	1000	860	1080 kg
24/12/8			300	DN500	200					
24/12/10			300	DN500	250					

Typical Installation



Address

Clyde Pneumatic Conveying Ltd
Lakeside Boulevard
Lakeside
Doncaster
DN5 4PL
United Kingdom

Phone

+44 01302 552200

Email

sales@clydepc.co.uk

Web

www.clydepc.co.uk



ISO9001 | ISO14001



British Engineering