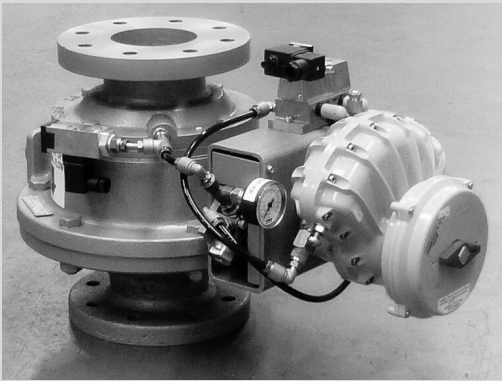
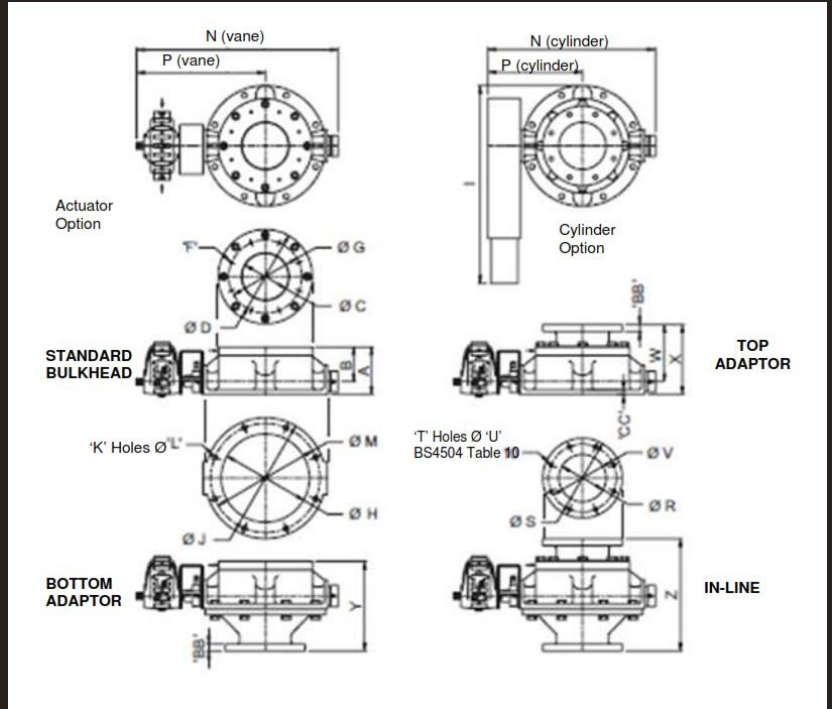




Pneumatic Conveying



Physical Layout



Technical Data Dome Valve

Pneumatic Bulk Solids Handling

Document No. CPC-TDS-3010

Main Dimensions

DV	A	B	ØC	ØD	E	ØF	ØG	ØH	I	ØJ	K	ØL	ØM	N (kin)	N (cil)
50	188	74	51	165	4	M16	125	51		165	4	18	125	373	
80	228	90	78	200	8	M16	160	78		200	8	18	160	441	
100	137	97	106	250	4	M12	200	240		340	6	18	300	608	
150	169	124	157	320	6	M12	260	312		440	8	22	390	779	
200	205	150	206	406	8	M12	315	390	928	520	8	22	470	870	683
250	249	189	260	390	6	M12	350	480	1212	620	8	26	560	1121	863
300	283	218	306	460	6	M16	410	551	1242	690	12	26	630	1212	963
400	370	285	410	595	16	M16	545	739	1508	1000	12	38	870	1613	1378
500	484	376	508	745	24	M24	685	880	1681	1110	16	39	1030		1740

P (kin)	P (cil)	ØR	ØS	T	ØU	ØV	W	X	Y	Z	AA	BB	CC
242											23		18
296											23		20
402		103	228.6	8	19.0	190.5	173	213	272	348	13	23.8	20
513		155	279.4	8	22.2	241.3	212	257	362	450	16	25.4	20
555	368	203	342.9	8	22.2	298.4	247	302	388	485	16	28.6	20
725	470	254	406.4	12	25.4	361.9	267	327	487	565	18	30.2	25
763	514	305	482.6	12	25.4	431.8	339	404	558	680	18	31.8	28
999	765	400	596.9	16	28.6	539.7	446	531	723	884	25	36.5	35
	958	508	698.5	20	31.7	635				857	40	42.9	45

Address

Clyde Pneumatic Conveying Ltd
Lakeside Boulevard
Lakeside
Doncaster
DN5 4PL
United Kingdom

Phone

+44 01302 552200

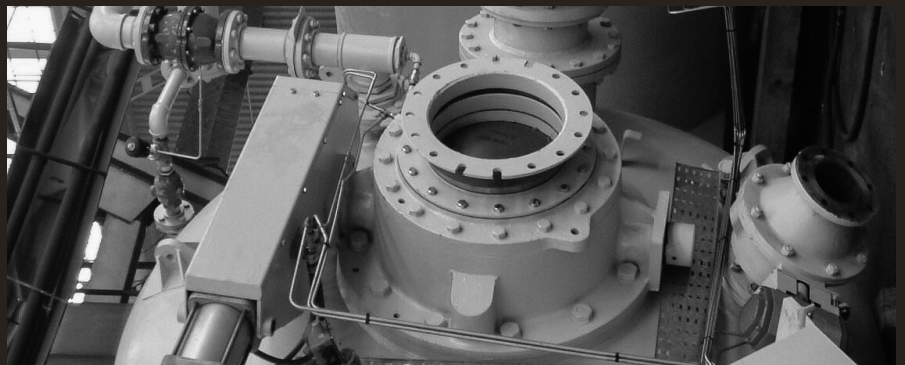
Email

sales@clydepc.co.uk

Web

www.clydepc.co.uk

Typical Installation



ISO9001 | ISO14001

British Engineering