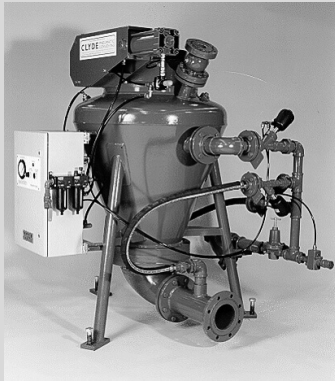




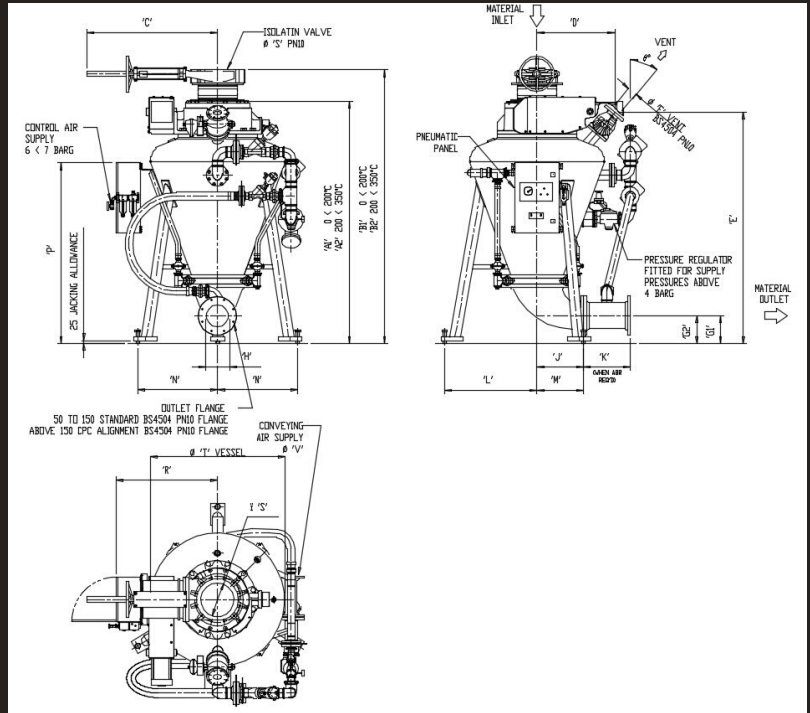
**Pneumatic Conveying**



# Technical Data Denseveyor

Pneumatic Bulk Solids Handling  
Document No. CPC-TDS-3000

## Physical Layout



## Main Dimensions

DENSEVEYOR MODEL SIZE	DIMENSIONS																			WEIGHT Kg			
	'A1'	'A2'	'B1'	'B2'	'C'	'D'	'E'	'F'	'G' NO. 100R	'H' PC. 100R	'H'	'J'	'K'	'L'	'M'	'N'	'P'	'R'	'S'		'T'	'V'	'W'
2/4	895	915	1115	1135	486	334	973	3/4" BSP	191	158	52.5	190	202	270	135	234	705	538	100	504	Rp1'	30	178
2/8	971	991	1216	1236	826	475	1124	50	191	158	52.5	190	202	342	171	296	713	576	200	580	Rp1'	45	305
3/4	1018	1038	1238	1258	486	303	1071	3/4" BSP	218	175	77.9	260	252	320	160	277	631	569	100	622	Rp1-1/2'	20	240
3/8	1083	1103	1328	1348	826	475	1236	50	215	172	77.9	260	252	477	239	413	825	601	200	640	Rp1-1/2'	45	367
4/4	1282	1302	1502	1522	486	500	1264	3/4" BSP	233	190	102.3	260	302	493	247	427	936	662	100	698	Rp2'	45	280
4/8	1316	1336	1561	1581	826	475	1469	50	233	190	102.3	260	302	484	242	419	936	662	200	698	Rp2'	45	450
4/12	1356	1368	1626	1638	1126	575	1464	50	233	190	102.3	260	302	493	247	427	1007	668	300	760	Rp2'	45	650
8/8	1504	1524	1749	1769	826	454	1477	50	245	194	128.1	300	402	581	291	503	1073	736	200	850	Rp2-1/2'	30	520
8/12	1589	1601	1859	1871	1126	575	1697	50	245	194	128.1	300	402	517	259	448	1230	691	300	756	Rp2-1/2'	45	720
12/8	1747	1767	1992	2012	826	456	1723	50	261	210	154.1	300	402	645	323	559	1291	748	200	1003	Rp3'	30	550
12/12	1811	1823	2081	2093	1126	595	1648	50	261	210	154.1	300	402	645	323	559	1291	801	300	1003	Rp3'	45	750
16/12	1970	1982	2240	2252	1126	559	1897	50	284	233	177.7	400	402	749	375	649	1353	870	300	1086	Rp3'	30	865
20/12	2091	2103	2361	2373	1126	670	1997	80	298	247	202.7	400	452	796	398	689	1512	876	300	1163	100 PNO	40	1156
30/12	2363	2375	2633	2645	1126	577	2327	80	425	374	254.4	500	452	890	445	770	1665	1040	300	1315	100 PNO	24	1480
37/12	2623	2635	2893	2905	1126	589	2614	80	402	351	254.4	500	452	875	475	768	1665	1026	300	1306	100 PNO	24	1590
50/12	2709	2721	2979	2991	1126	602	2700	80	415	364	304.9	605	502	646	646	646	1367	900	300	1390	100 PNO	20	1810

### Address

Clyde Pneumatic Conveying Ltd  
Lakeside Boulevard  
Lakeside  
Doncaster  
DN5 4PL  
United Kingdom

### Phone

+44 01302 552200

### Email

sales@clydepc.co.uk

### Web

www.clydepc.co.uk

## Typical Installation



ISO9001 | ISO14001

British Engineering